

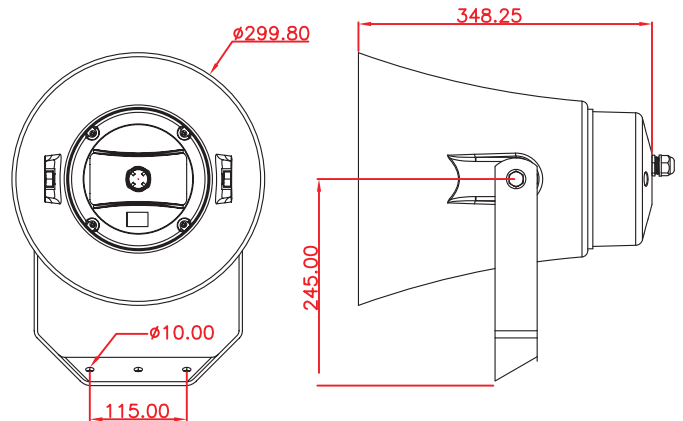
# UL 94V0 Anti-Fire ABS Plastic Music Horn Speaker (EN54-24)

EN54-24 CERTIFICATED

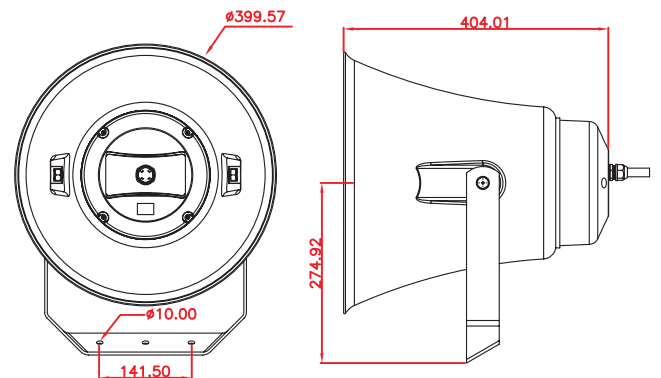
CS-5MHC30BS/CS-6MHC60BS



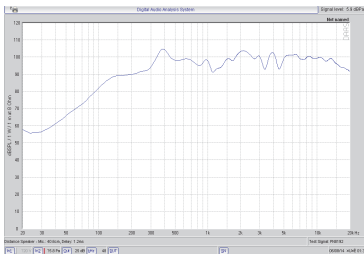
**CS-5MHC30BS**



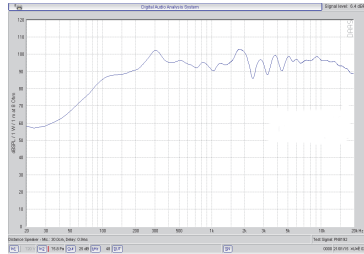
**CS-6MHC60BS**



**CS-5MHC30BS**



**CS-6MHC60BS**



## SPECIFICATIONS

Model No.	CS-5MHC30BS	CS-6MHC60BS
Rated Power (rms)	30W	60W
Speaker	Bass	5" P.P. Coating Rubber Surround
	Treble	6-1/2" P.P. Coating Rubber Surround
	High Efficiency Tweeter	
Impedance	333Ω-667Ω-1333Ω-2667Ω	167Ω-333Ω-667Ω-1333Ω
Power Rating (100V)	30W-15W-7.5W-3.75W	60W-30W-15W-7.5W
S.P.L. ( at 1W/1M )	97dB	97dB
Maximum Acoustic Pressure	111dB	115dB
Frequency Response(-10dB)	120Hz~20KHz	120Hz~20KHz
Dispersion 1KHz / 4KHz (- 6dB)	90° / 30°	
Ambient Temperature	-25°C ~ +70°C	
Compliant Standard	EN54-24	
IP Rating	IP 66	
Dimension	∅299.80 x 348.25(h) mm	∅399.57 x 404.01(h) mm
Material	UL94V0 Anti-Fire ABS Plastic	
Colour	Light Grey (RAL 7035)	
Power Selection Method	Plug ,Ceramic Terminal Block	
Mounting	U Type Steel Bracket	